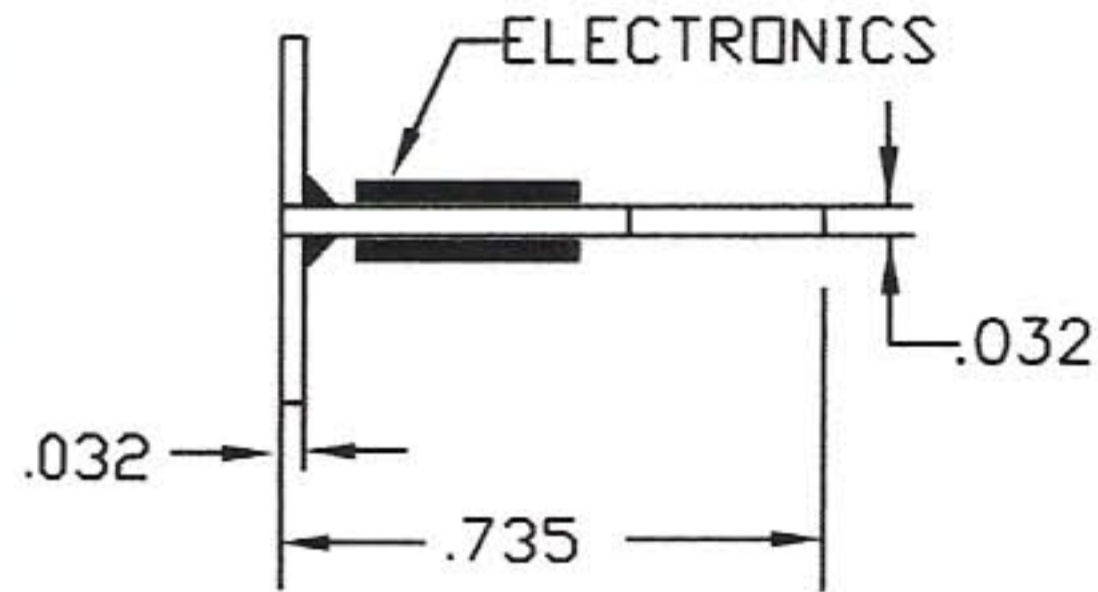
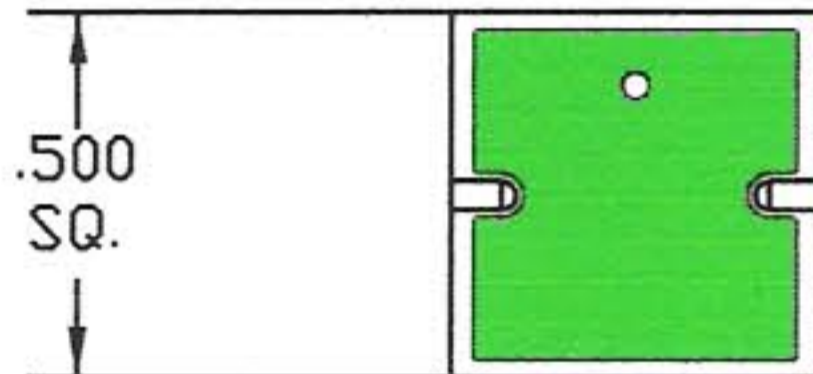
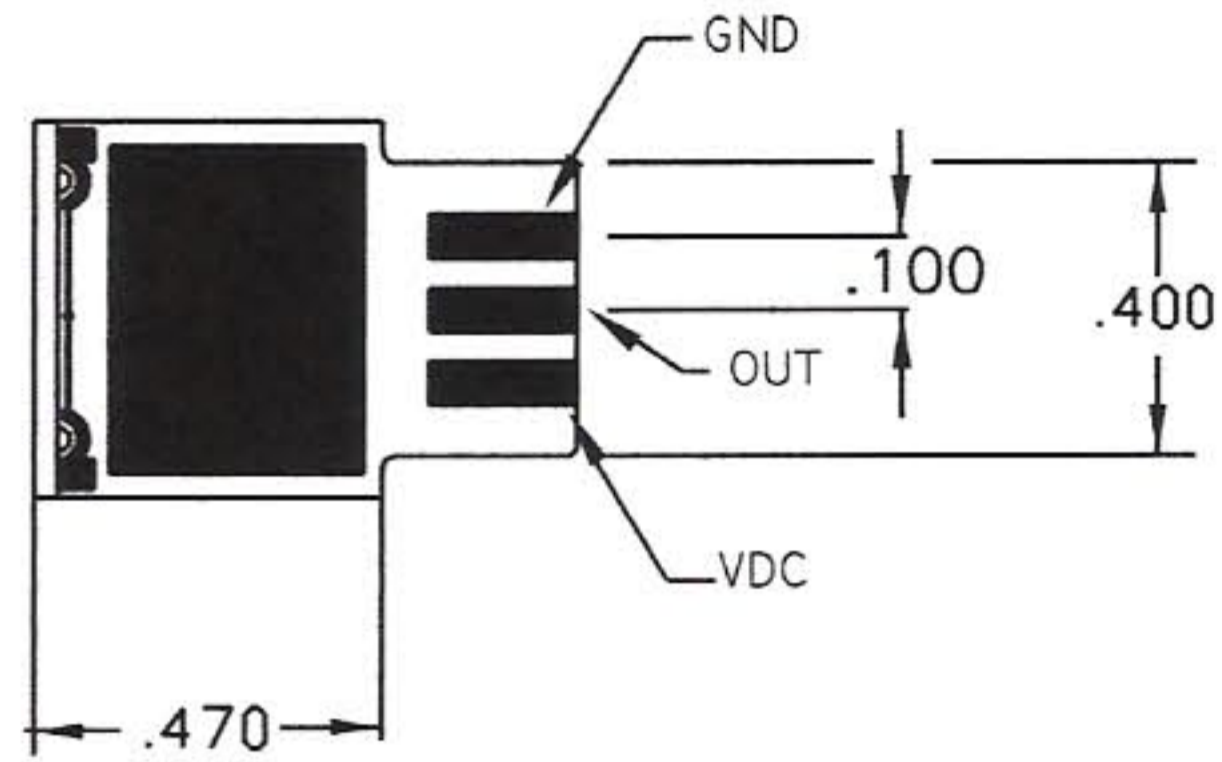
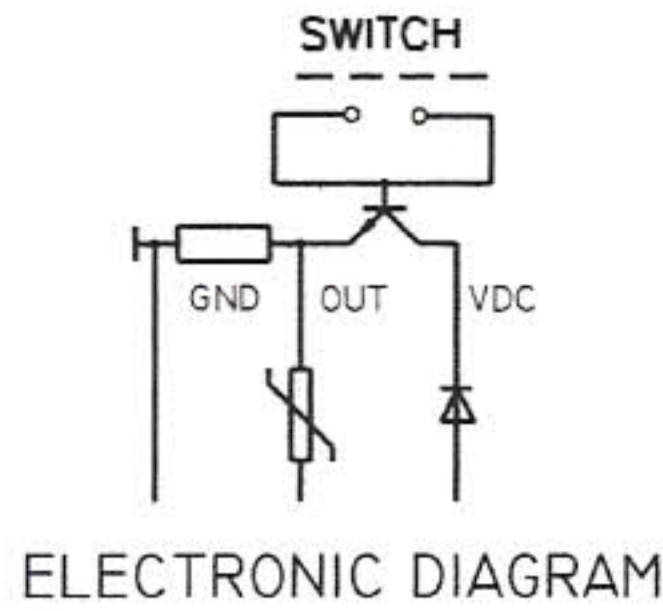
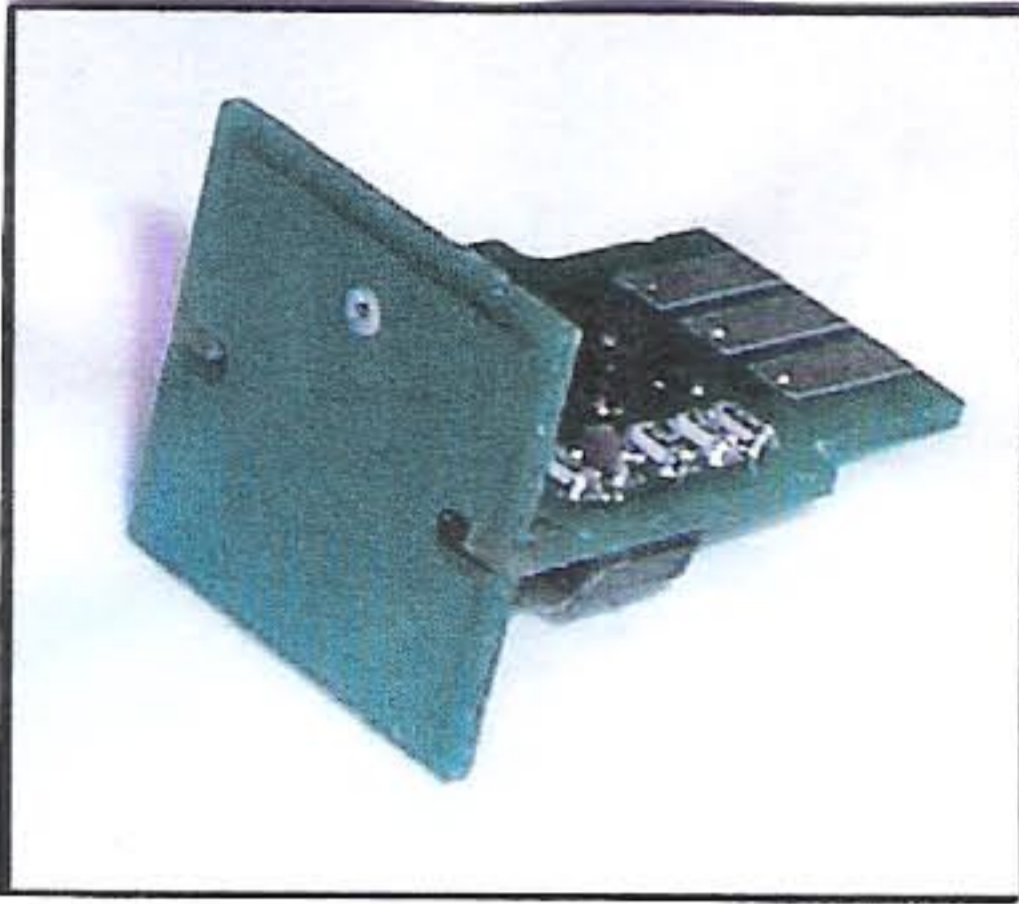


TSS7 – TOUCH SENSITIVE SWITCH



SWITCH ID
TSS7

ELECTRICAL FUNCTION
1 – Momentary NO supply voltage – 7.5-20VDC



Touch sensitive switch environmentally sealed switch and vandal proof (when installed) can be mounted behind any non-conductive front panels like; glass, plastic wood and ceramics. Simply pile the protective liner from the front of the switch to expose pressure sensitive adhesive and mount behind the front panel. Switch is activated by light touch to the active area or near-proximity. It will project a proximity sense field through air or ant insulators. Switch is a solid-state devise, has no moving parts, therefore don't wear out like membrane or tactile switches. Has unlimited life and can be operated with gloved hand.

- Supply voltage: 7.5– 20VDC
- Supply current: 10mA
- Switching resistance ON: 10 OHMS
- Switching current: 175 mA

GENERAL SPECIFICATION

- Operating temperature: -20Cto +80C
- Operating force: Light touch or near-proximity
- Life expectancy: Millions
- Storage temperature: -20Cto+80C
- Sealing: When switch is installed behind the panel)

- P.C.B. Material – FR4
- Standard flex cable
- Acrylic pressure sensitive adhesive
- Recommended connector: Samtec ASP66875-01

APPLICATIONS:

- Switch is suitable for the following applications:
- Pharmaceutical industry
 - Access control systems
 - Industrial control systems
 - Public information systems
 - Vending machines
 - High quality utilities