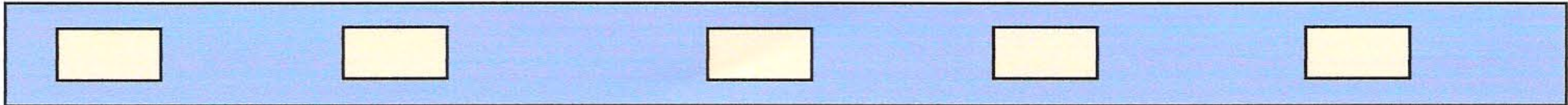
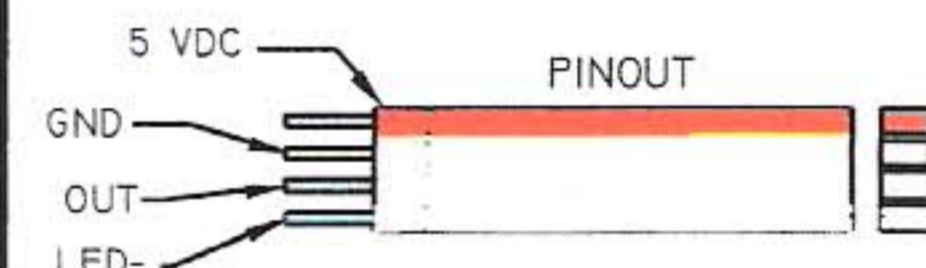
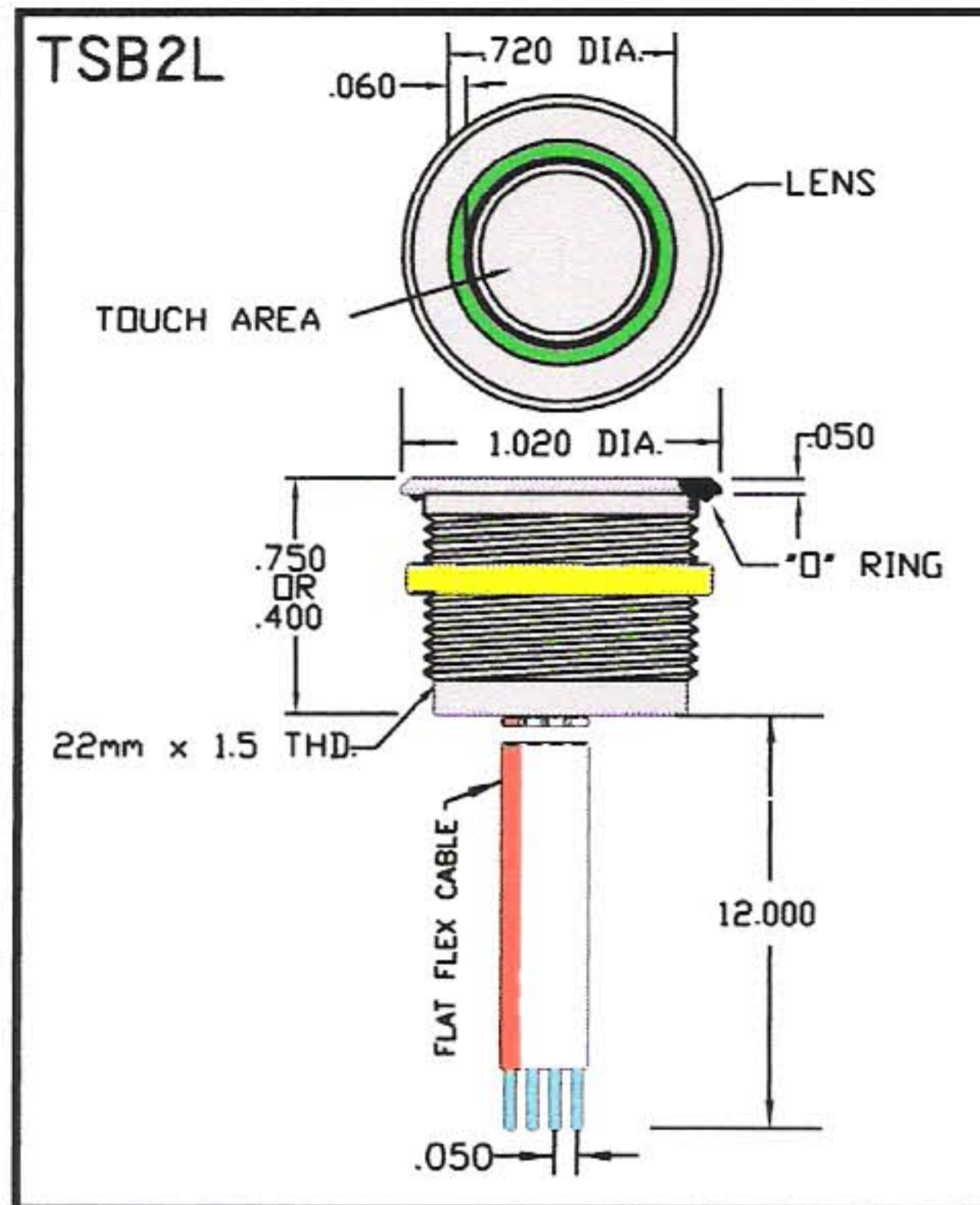
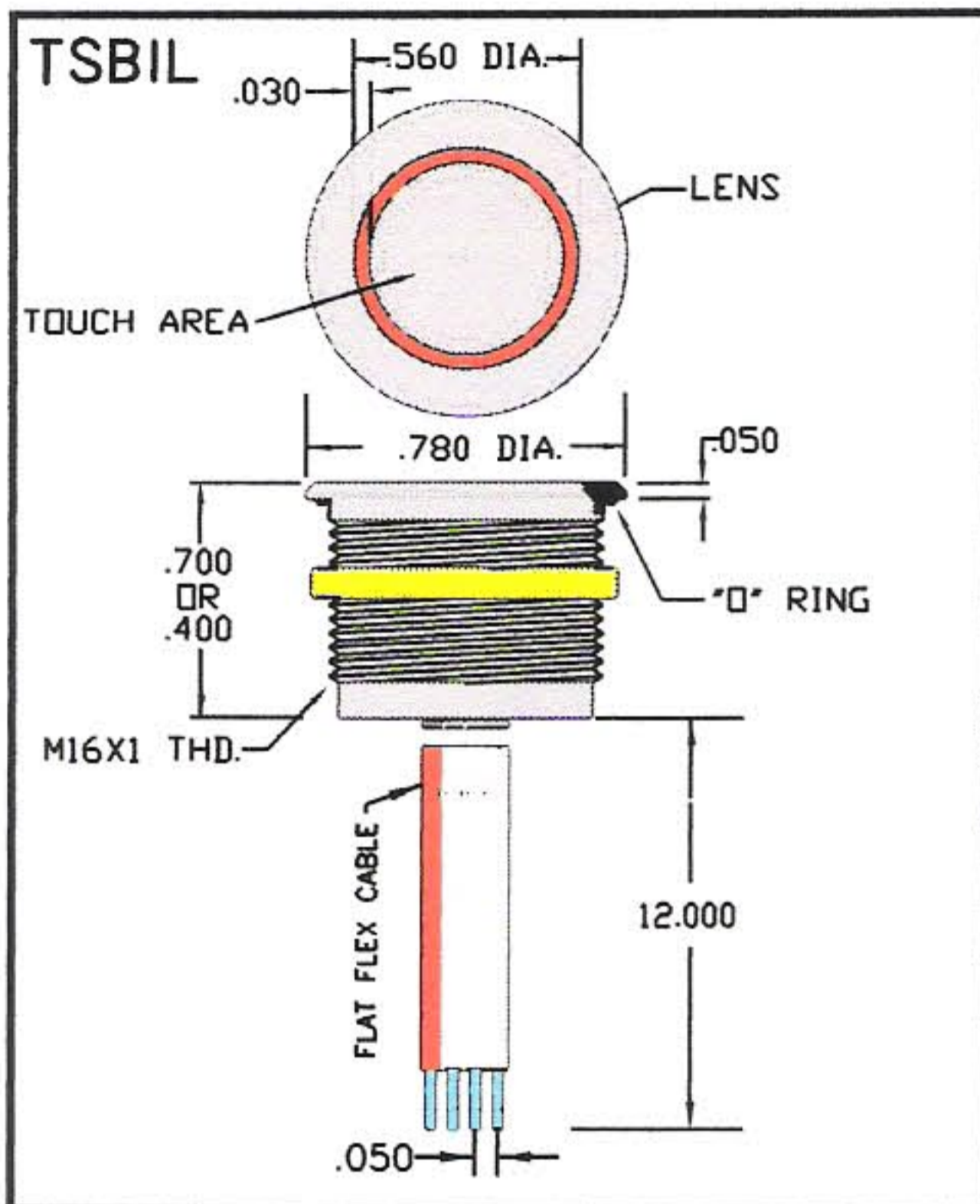


TSB - ILLUMINATED TOUCH SWITCHES



SWITCH ID	ELECTRICAL FUNCTION	LED COLOR	HOUSING MAT.	HOUSING COLOR
TSB1L - .700 TSB1L - .400 TSB2L - .750 TSB2L - .400	1 - Momentary NO	R - RED G - GREEN B - BLUE R/G - RED/GREEN	A - ALUMINUM S - STAINLESS STEEL	0 - NATURAL 1 - BLUE 2 - BLACK 3 - GREEN 4 - YELLOW 6 - RED



These new vandal proof illuminated touch sensitive switches are designed for use in harsh conditions. Switches are activated by light touch or near proximity. Switch is a solid-state device, has no moving parts and unlimited life. Switches available with a ring illumination in several colors.

ELECTRICAL SPECIFICATION
<ul style="list-style-type: none"> Supply voltage: 5 - 24VDC Supply current: 10mA Switching resistance ON: 10 OHMS Switching current: 175 mA
GENERAL SPECIFICATION
<ul style="list-style-type: none"> Operating temperature: -30C to +80C Operating force: Light touch or near-proximity Life expectancy: Millions Storage temperature: -30C to +80C Sealing: IP68 (switch mounted behind the panel)

MATERIALS
<ul style="list-style-type: none"> Wire - Flat flex cable "O" Ring - buna Nut - Brass nickel plated
APPLICATIONS:
<p>Switch is suitable for the following applications:</p> <ul style="list-style-type: none"> Pharmaceutical industry Access control systems Industrial control systems Public information systems Vending machines High quality utilities