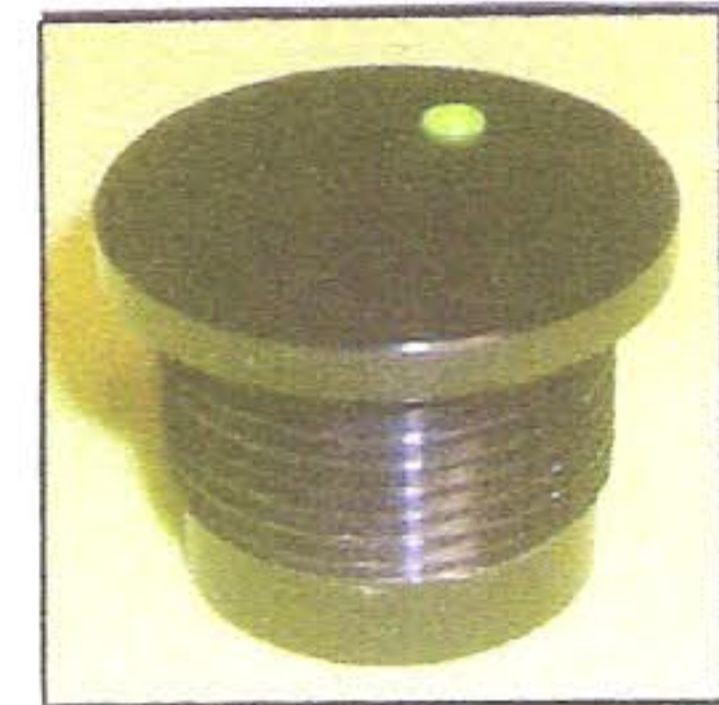
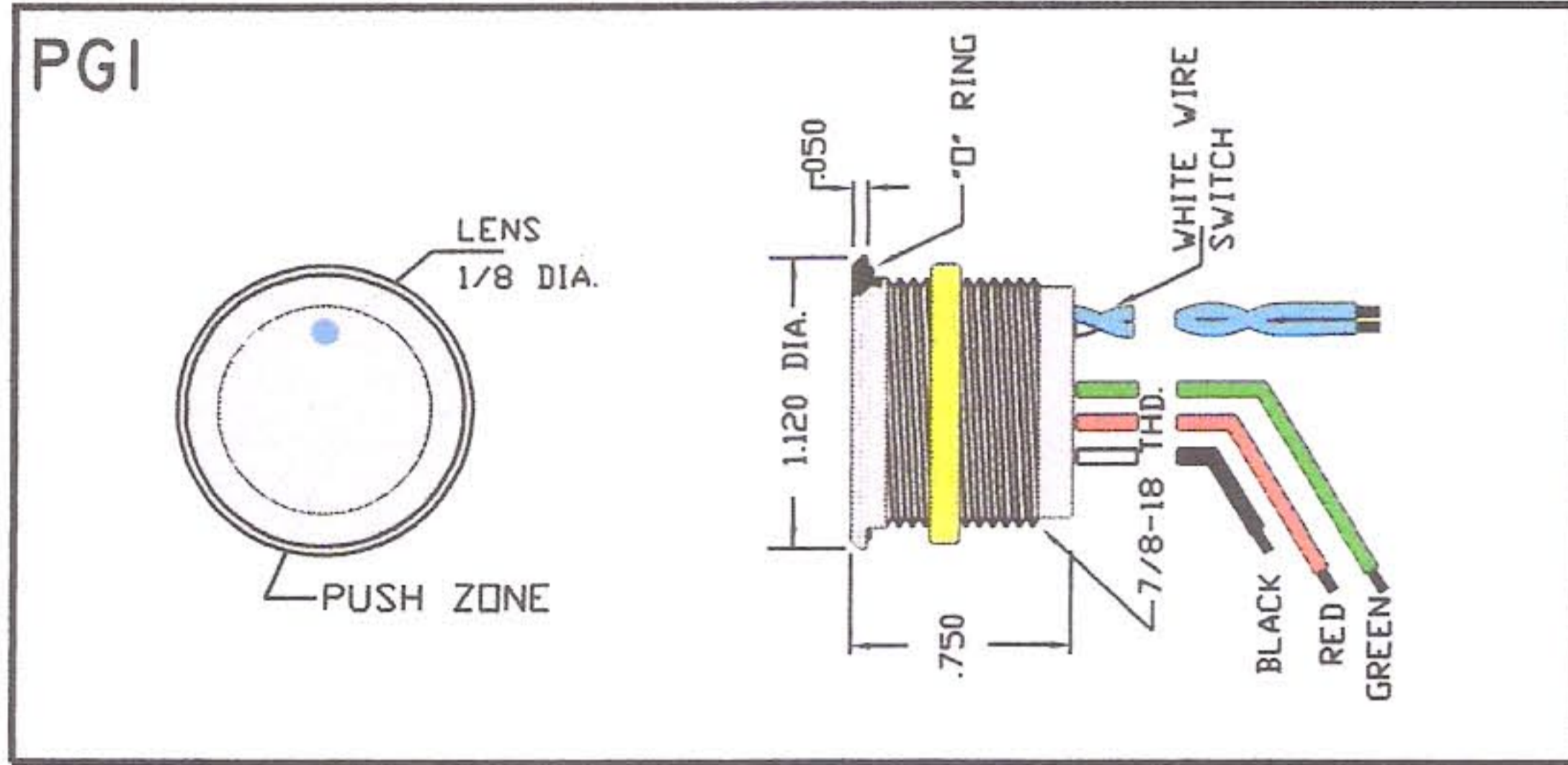


PG - SERIES PIEZOELECTRIC SWITCH WITH POINT ILLUMINATION



SWITCH	HOUSING	ELECTRICAL FUNCTION	HOUSING COLOR	RATING	LED COLOR
PG1 PG2	A - ALUMINUM S - STAINLESS STEEL	1 - Momentary NO - SPST 2 - Latching - SPST ** * See note 1	0 - Natural anodizing 1 - Blue anodizing 2 - Black anodizing 3 - Green anodizing 4 - Yellow anodizing 6 - Red anodizing	1 - 24VAC/DC 200 mA	R - Red G - Green B - Blue R/G - RED/GREEN



LED COLOR	CURRENT = I _{mA}
SINGLE RED	2.0
SINGLE GREEN	2.0
SINGLE BLUE	2.0

ELECTRICAL SPECIFICATION
<ul style="list-style-type: none"> Rated voltage: 24 VAC/DC Rated current: 200mA Switch resistance ON: 10 OHMS Switch resistance OFF: 5 MOHMS Switch capacitance: 30Pf LED voltage: V_f= 5V (I_f+10 mA) User must connect a resistor in series.

GENERAL SPECIFICATION
<ul style="list-style-type: none"> Operating temperature: -20C to +75C Operating force: 3-5N Life expectancy: Millions Panel cut-out: .880" DIA EMI or RFI effect: none Sealing: IP68 per IEC 529 (switch mounted on panel)

LATCHING SWITCH
Supply voltage: 5-VDC

MATERIALS
<ul style="list-style-type: none"> Wire - multi-wire leads AWG 24 8" long/standard O" Ring buna Nut - Brass nickel plated

NOTES:
<ol style="list-style-type: none"> Standard make impulse time 50-1000 msec. (depending on actuation rate). Prolonged impulse time 50-500msec. (depending on actuation rate). 0 For illumination with a one color LED - 2 wires plus two white switch wires. For a bi color LED - 3 wires plus two white switch wires.