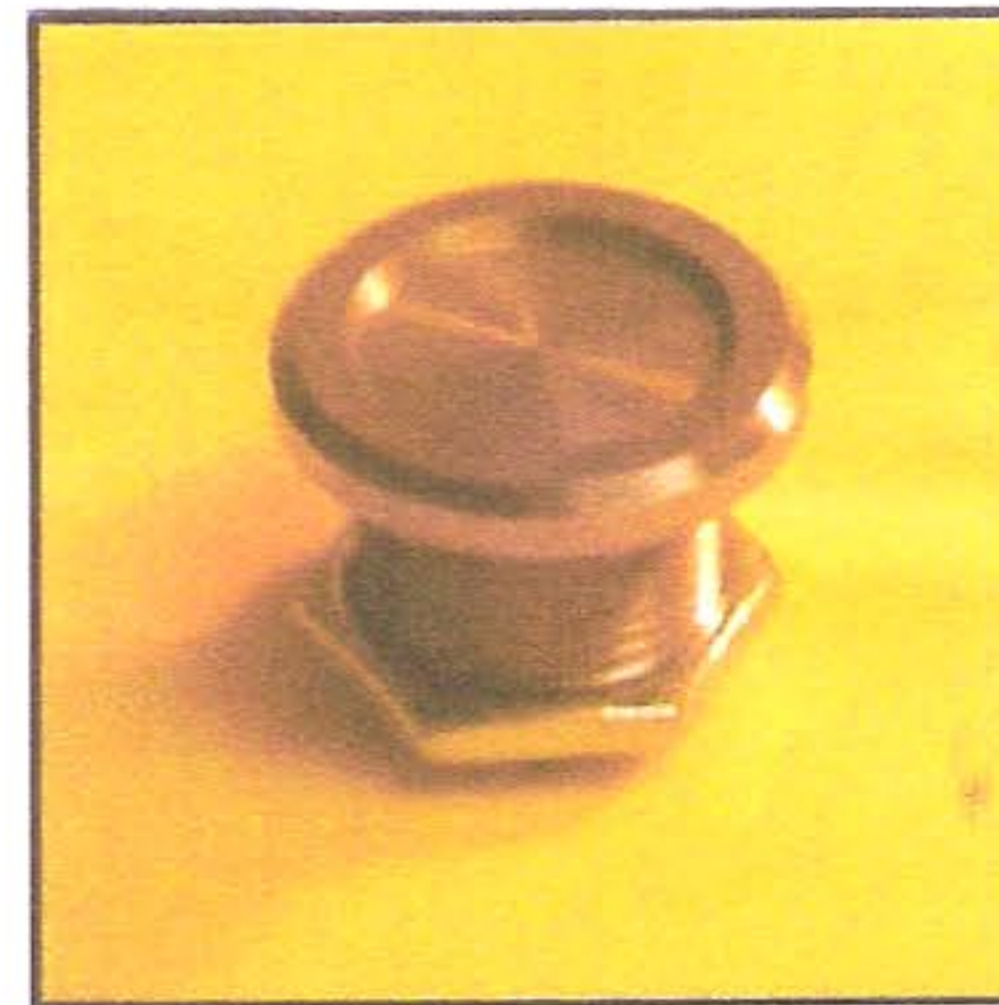
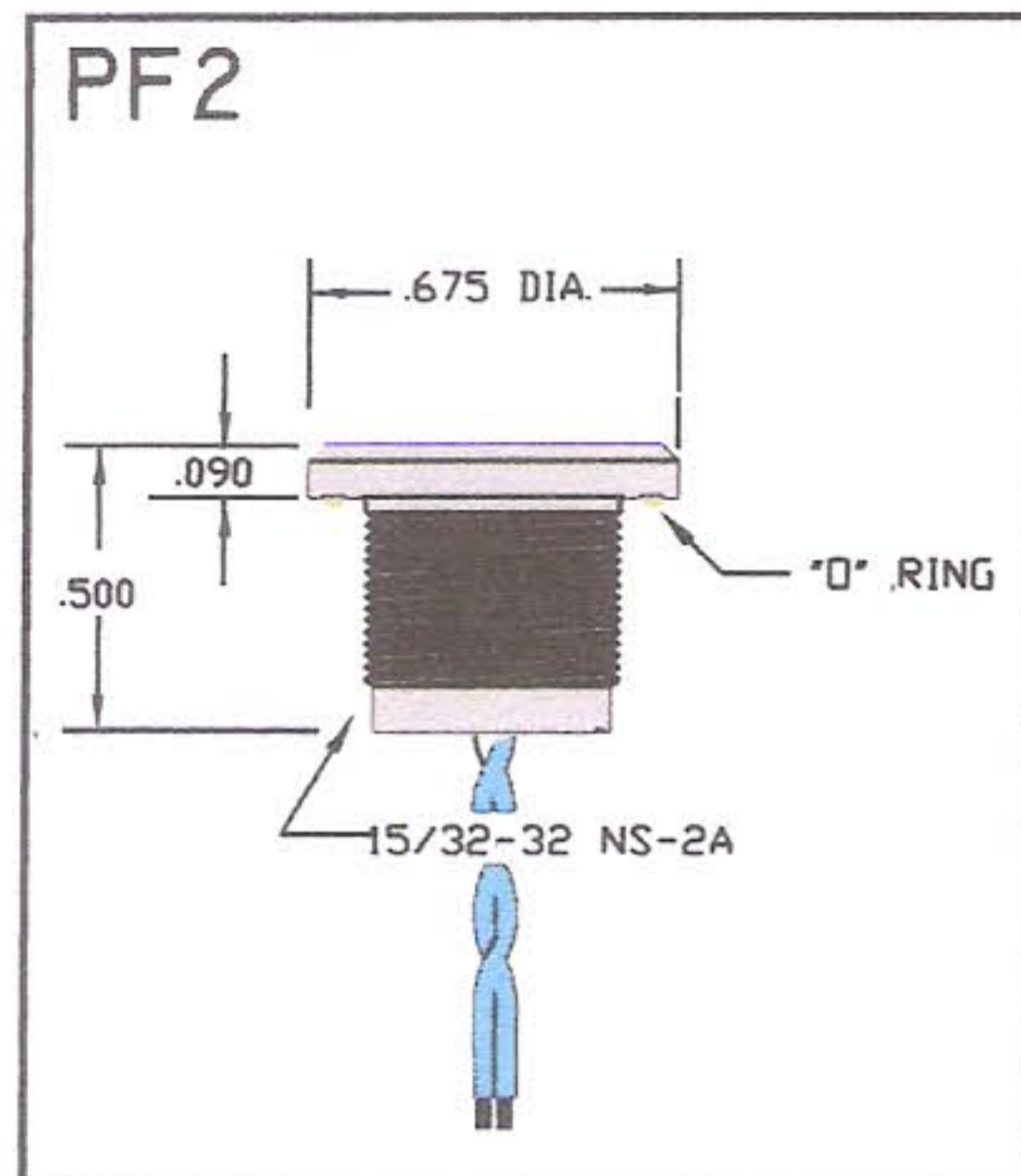
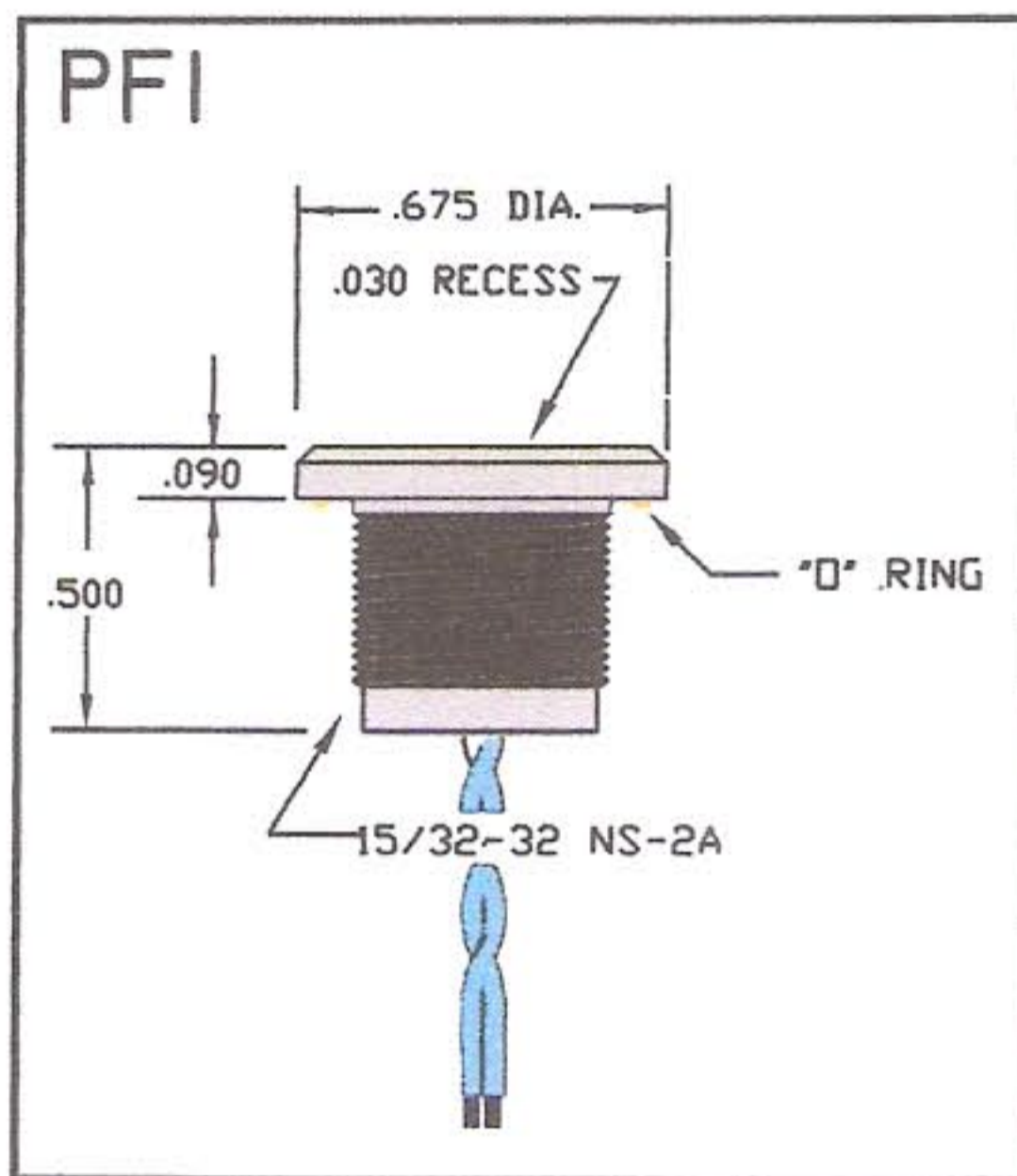


## PF SERIES PIEZOELECTRIC SWITCH

SWITCH ID	HOUSING MATERIAL	ELECTRICAL FUNCTION	HOUSING COLOR	RATING
PF1	A - ALUMINUM	1 - Momentary NO - SPST	0 - Natural anodizing 1 - Blue anodizing 2 - Black anodizing 3 - Green anodizing 4 - Yellow anodizing 6 - Red anodizing	1 - 25 VDC 100 mA
PF2	S - STAINLESS STEEL	* See note 1	* See note 2	



ELECTRICAL SPECIFICATION
<ul style="list-style-type: none"> <li>Rated voltage: 25VDC</li> <li>Rated current: 100mA</li> <li>Switch resistance ON: 10 OHMS</li> <li>Switch resistance OFF: 5 MOHMS</li> <li>Switch capacitance: 30pF</li> </ul>
GENERAL SPECIFICATION
<ul style="list-style-type: none"> <li>Operating temperature: -20Cto +75C</li> <li>Operating force: 3-5N</li> <li>Life expectancy: Millions</li> <li>Panel cut-out: .475" DIA</li> <li>EMI or RFI effect: none</li> <li>Sealing: IP68 (switch mounted on panel)</li> </ul>

MATERIALS
<ul style="list-style-type: none"> <li>Wire - multi-wire leads AWG 24 8" long/standard</li> <li>Gasket - Buna-N (Nitrile) 70 durometer shore A</li> <li>"O" Ring buna</li> <li>Nut - Brass nickel plated</li> </ul>
NOTES:
<ol style="list-style-type: none"> <li>Standard makes impulse time 50-1000msec. (depending on actuation rate).</li> <li>Prolonged impulse time 50-5000 msec. (depending on actuation rate).</li> <li>Colors option - powder coated.</li> <li>Consult factory for higher rating switch.</li> </ol>