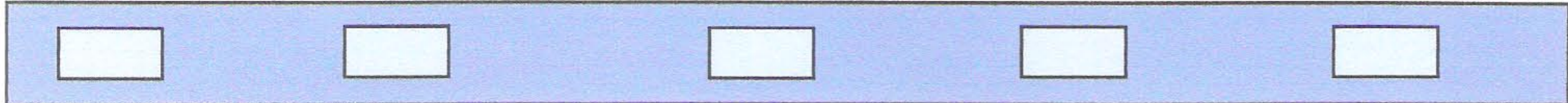
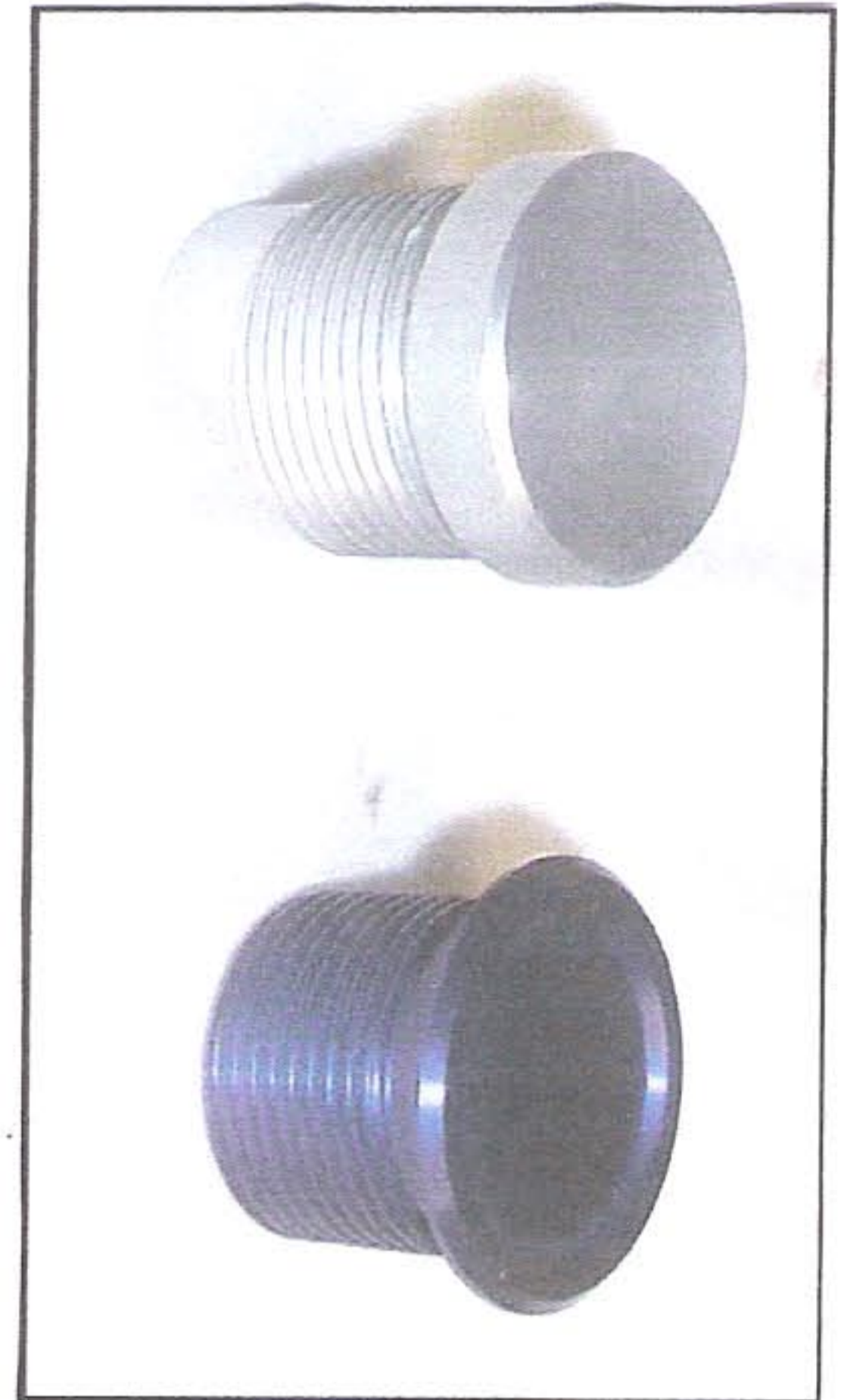
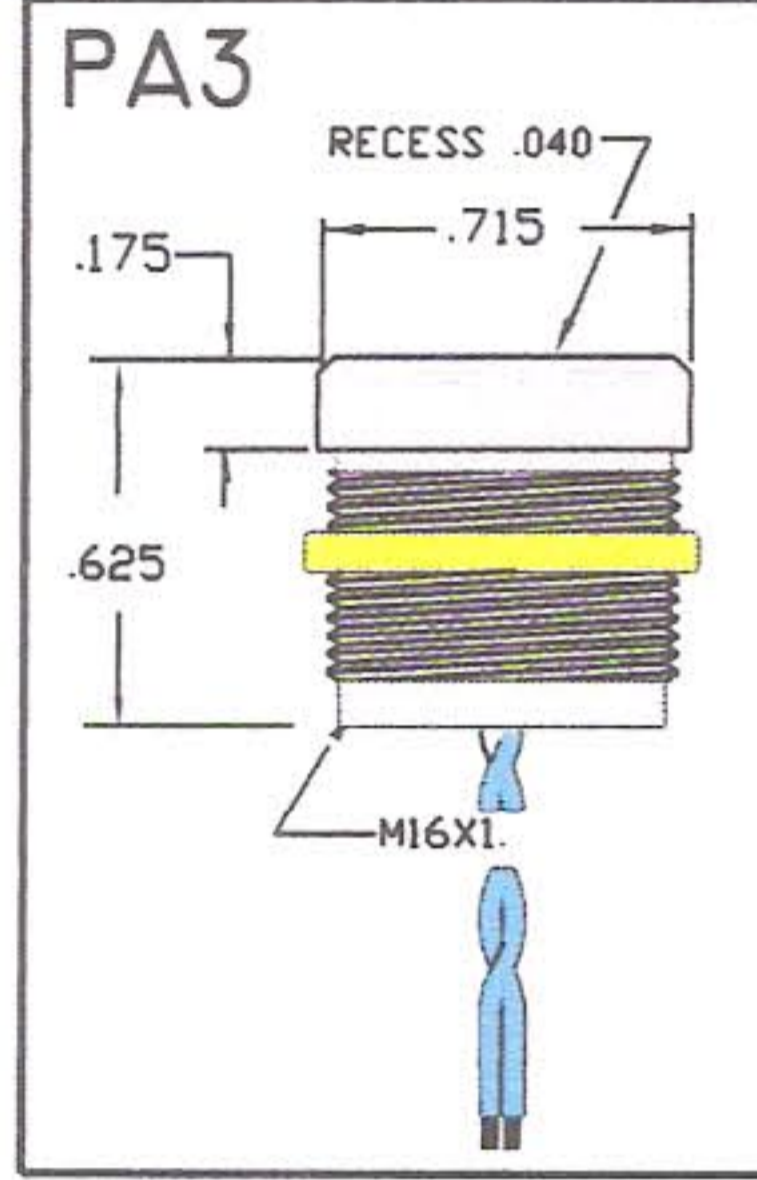
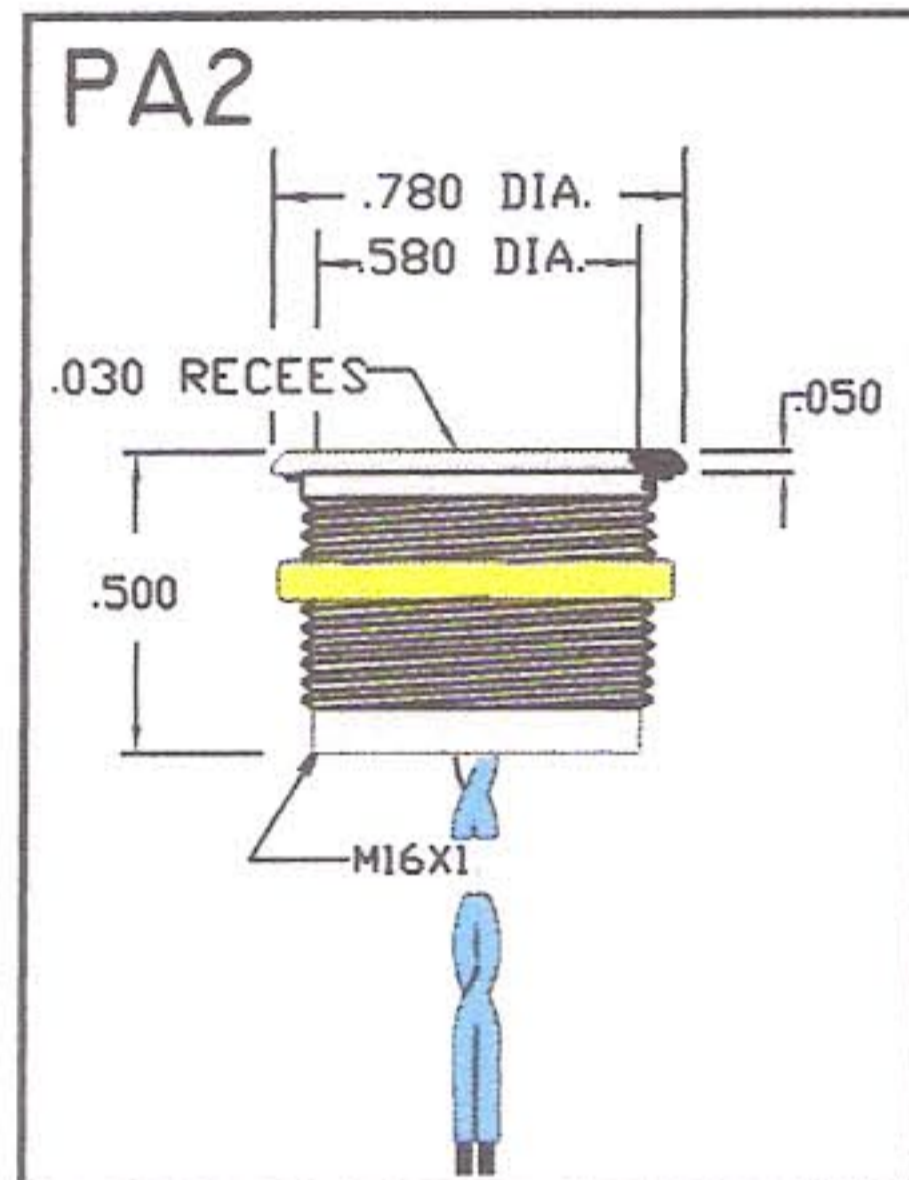
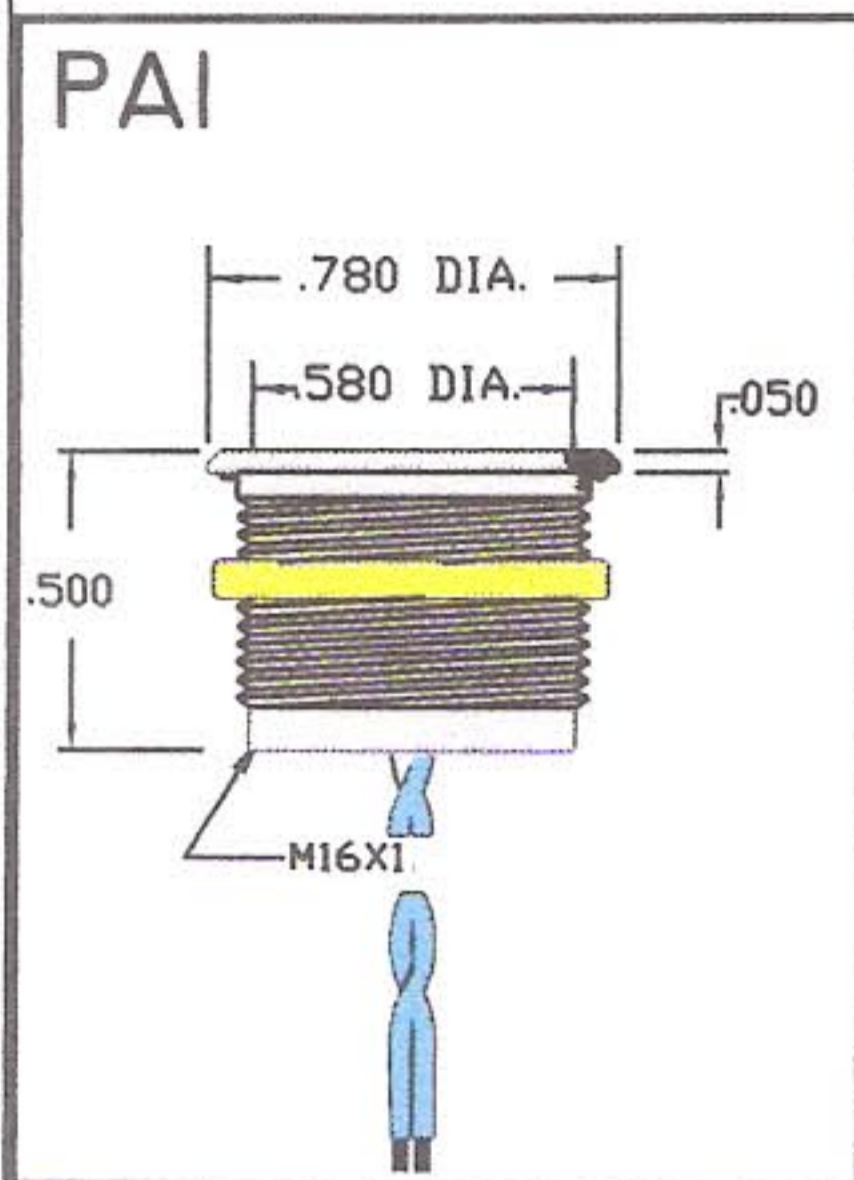


PA SERIES PIEZOELECTRIC SWITCH



SWITCH ID	HOUSING MATERIAL	ELECTRICAL FUNCTION	HOUSING COLOR	RATING
PA1	A - ALUMINUM	1 - Momentary NO - SPST	0 - Natural anodizing	1 - 60VDC
PA2	S - STAINLESS STEEL	2 - Momentary NC - SPST	1 - Blue anodizing	40VAC
PA3		3 - Momentary NO - DPST	2 - Black anodizing	200 mA
		4 - Momentary NC - DPST	3 - Green anodizing	2 - 120VAC/DC - 2A
		5 - Latching - SPDT	4 - Yellow anodizing	
		* See note 1	6 - Red anodizing	
			* See note 2	



ELECTRICAL SPECIFICATION
<ul style="list-style-type: none"> Rated voltage: 60VDC 40VAC Rated current: 200mA Switch resistance ON: 10 OHMS Switch resistance OFF: 5 MOHMS Switch capacitance: 30pF
GENERAL SPECIFICATION
<ul style="list-style-type: none"> Operating temperature: -20C to +75C Operating force: 3-5N Life expectancy: Millions Panel cut-out: .630" DIA EMI or RFI effect: none Sealing: IP68 (switch mounted on panel)

MATERIALS
<ul style="list-style-type: none"> Wire - multi-wire leads AWG 24 8" long/standard Gasket - Buna-N (Nitrile) 70 durometer shore A "O" Ring buna Nut - Brass nickel plated
NOTES:
<ol style="list-style-type: none"> Standard makes impulse time 50-1000msec. (depending on actuation rate). Prolonged impulse time 50-5000 msec. (depending on actuation rate). Colors option - powder coated. Consult factory for higher rating switch.